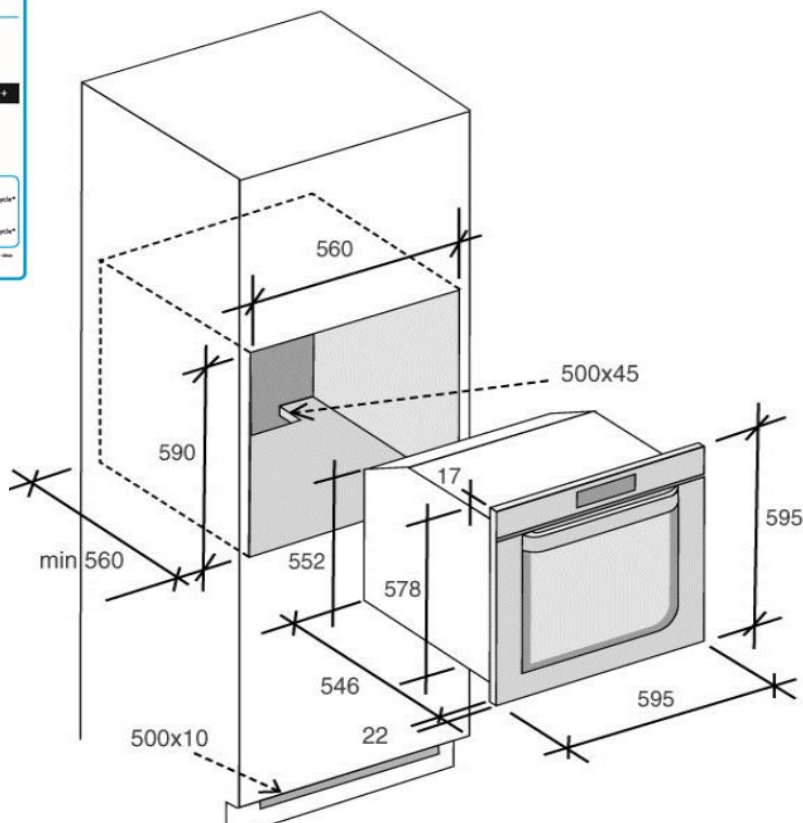
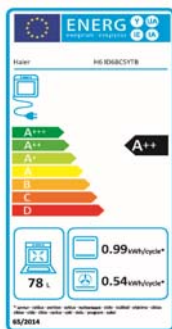




OVEN FEATURES

- **WiFi Connection** with hOn
- **A++ Class Energy Efficiency**
- **78lt Capacity**
- **Full Touch Digital Display**
- **Digital Thermostat Display**
- **Pyrolytic Embossed Cavity**
- **Halogen Lighting**
- **Soft closing Door System**
- **Steam Cooking**
- **Telescopic Rails**
- **Automatic Programmes**
- **2 Grids - 1 Tray**
- **25 Programmes** such as:
 - Multifunction
 - Bottom & Fan
 - Grill with Fan or Not
 - Pyrolysis
 - Defrost
 - Static etc.



- Προσθήκη εξαερισμού στο πίσω κάτω μέρος -